

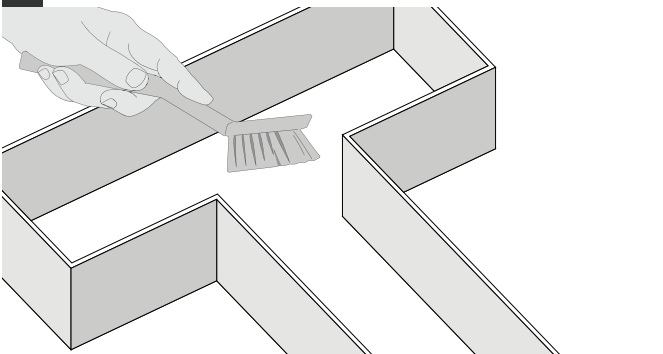
Installation Guide

Luminaire

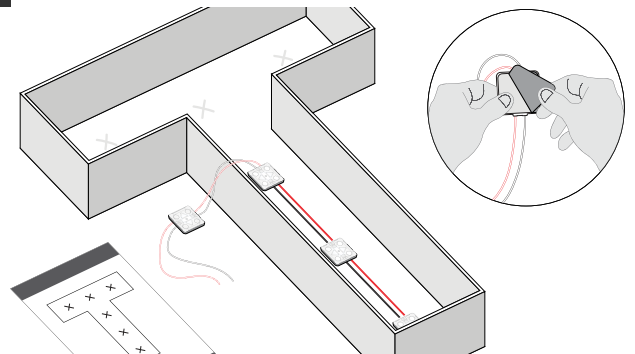


WARNING: Risk of electrical shock. Please read these instructions completely and carefully. Disconnect power before servicing or installing product.

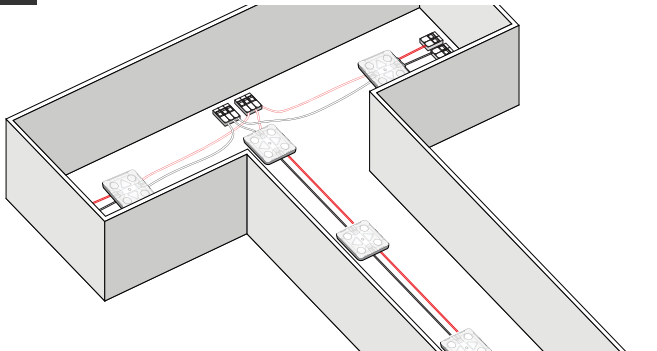
- 1** Ensure the inside of your channel letter or sign box is clean and free of debris.



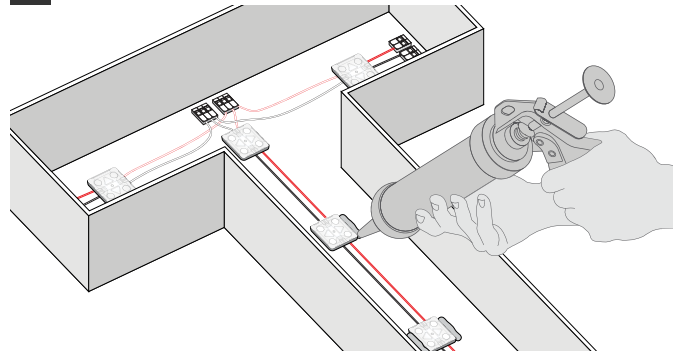
- 2** Using supplied LED layout, remove tape from the rear side and stick LED modules in place



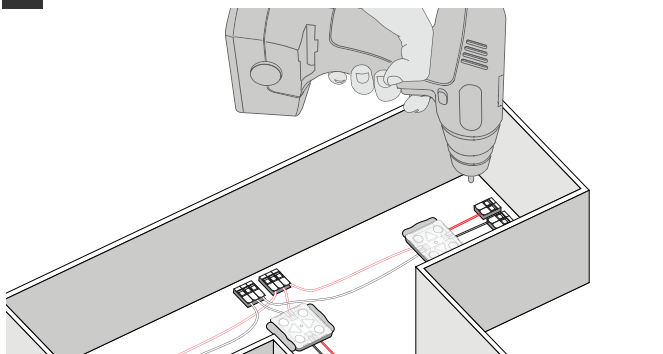
- 3** Working in low voltage WAGO connectors can be used to quickly wire LEDs in series or parallel. Do not exceed the maximum modules per series as this will result in voltage drop.



- 4** Secure LEDs by gluing modules in place



- 5** Drill holes out the back of the letters or sign box for connection to DC power supply



- 6** Wire the LED modules from the sign to the power supply. If there are multiple letters/signs they should be connected in parallel to eliminate voltage drop and ensure consistent brightness.

