

# ENERGIZER SERIES UNIVERSAL 150 W, 12 VDC POWER SUPPLY



## Specifications

SKU ..... P-OH150-12-AU  
 Warranty ..... 10-year product/5-year limited labor

### Performance

Voltage range ..... 170~264 VAC or 240~374 VDC  
 AC current ..... Max. 1.09 A  
 Input frequency ..... 47~63 Hz  
 Power factor .....  $\geq 0.90$  / 230V (at full load)  
 Output voltage ..... DC 12V  
 Current range ..... 0-12.5 A  
 Output power ..... 150 W

### Safety

Over current protection ..... 105-135% of rated output power  
 Short circuit protection ..... Hiccup mode, auto-recover  
 Other protection ..... Over-voltage/over-load/short circuit  
 Safety standards ..... Compliance to EN61347-1,  
 EN61347-2-13, IP67 waterproof rating

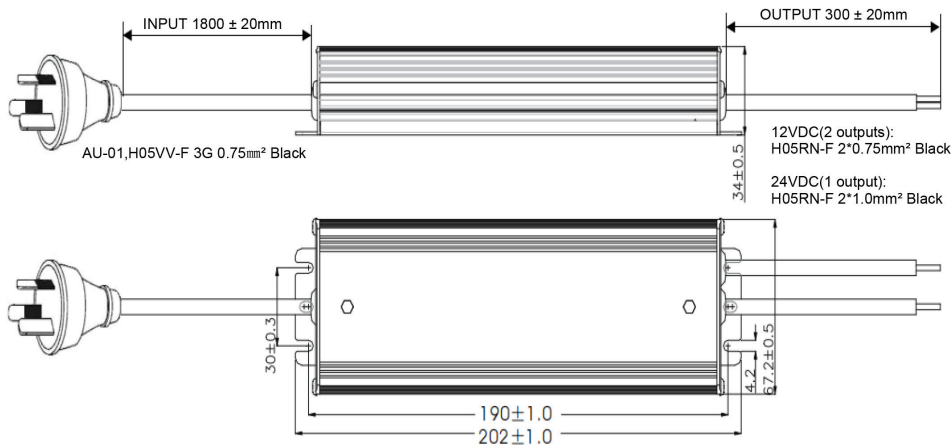


### Environmental

IP rating ..... IP67  
 Environmental suitability ..... Wet, damp, dry  
 Operating temperature .....  $-25^{\circ}\text{C} \sim +50^{\circ}\text{C}$   
 Storage temp. and humidity .....  $-25^{\circ}\text{C} \sim +75^{\circ}\text{C}$ , 5~95% RH  
 Relative humidity ..... 10~90% RH, non-condensing



## Dimensions



### Sales & Support

PH 02 9517 3222 | E sales@bounced.com.au  
 www.bounced.com



Proudly distributed by

